



ANCHOR BOLTS

MATERIAL: Carbon steel

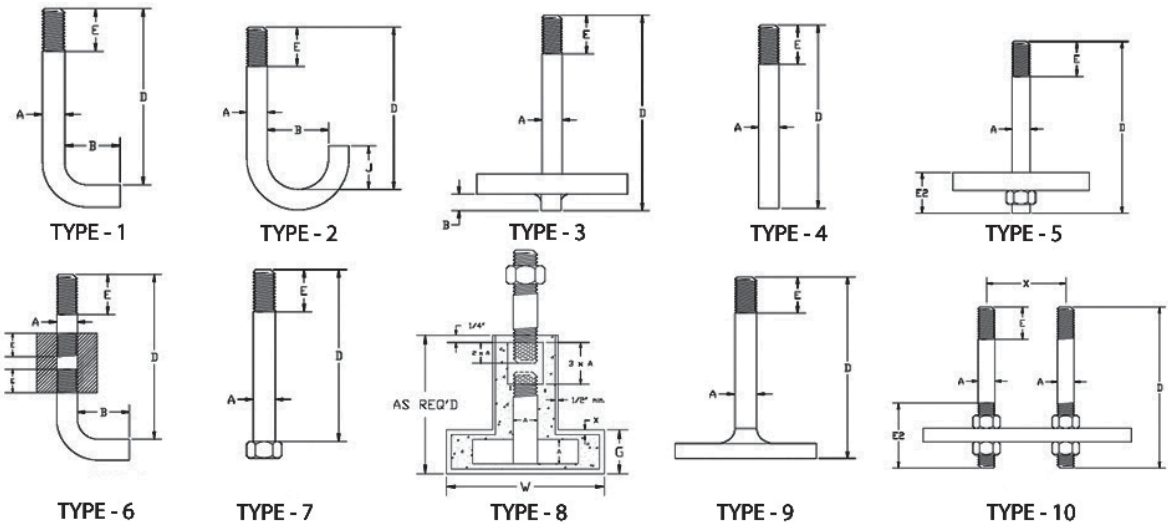
FINISH: Black, galvanized or painted.

ORDERING: Order by type, finish, dimensions, nuts and washers if required.

Example:

100 pcs. type 2 anchor bolt with one hex nut and one plain washer:

A = 1", D = 24", B = 6", J = 8", E = 3"



FLOW PRODUCTS

FLAME CUTTING, MACHINING AND FABRICATING

MATERIAL: Carbon steel, stainless steel, alloy steel

ORDERING: Line size, rating, drawing, material, etc.

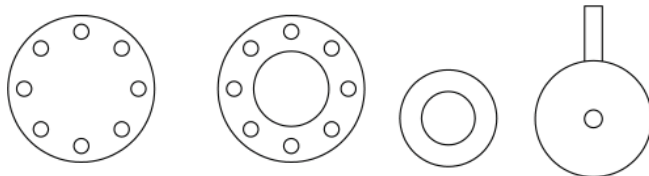
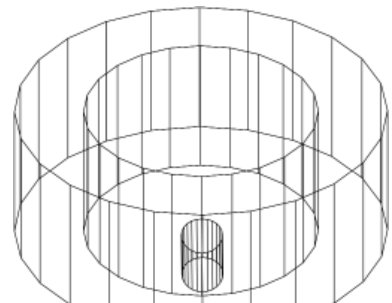
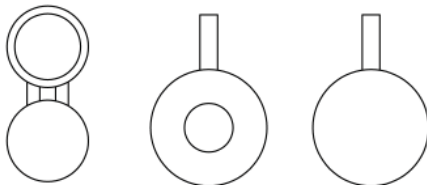


PLATE FLANGES

ORIFICE PLATES



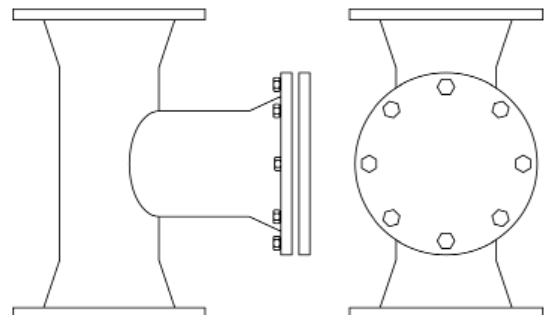
BLEED RINGS



LINE BLINDS



BELLMOUTH REDUCER



Y-STRAINERS